



**Outdoor Music Horn Speaker
AP-H50**



AP-H50 Outdoor Music Horn Speaker

Features :

- Public Address (PA) system paging horn speaker
- Outdoor horn loudspeaker with 100V/70V transformer
- Ideal for outdoor paging and speech use in school, office, hotel and airport
- Superior sound quality and long distance transmission
- Multiple power taps of 12.5W-25W-50W & 8 Ohm
- Waterproof level of IP66
- Line input 100V or 70V
- UV protected ABS enclosure and stainless metal bracket in grey
- Quick installation by supplied stainless mounting bracket

Commercial Building



School Campus



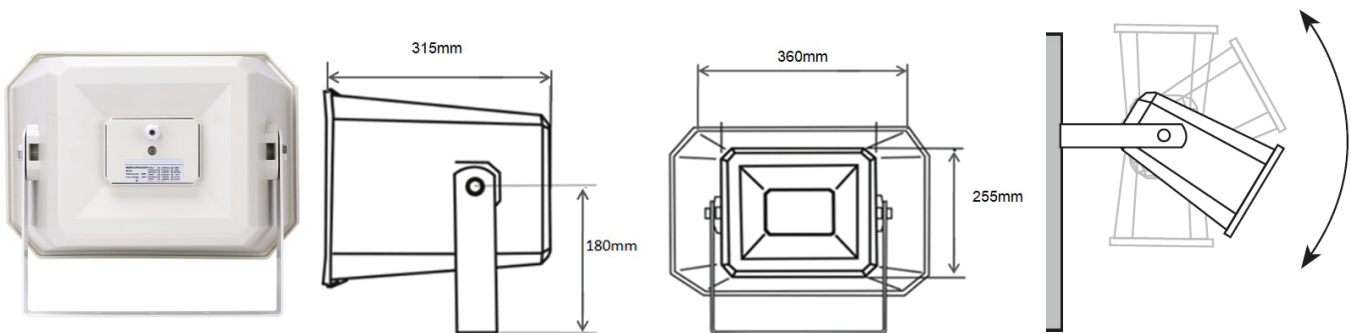
Transportation



Technical Specifications

Model No	AP-H30
Description	Outdoor Music Horn Speaker
Power Taps	12.5W-25W-50W & 8 Ohm
Line Input	100V or 70V & 8 Ohms
Frequency Response	90-20KHz
SPL(@1W/m)	99dB
IP Rate	IP66
Connector	By screw terminal with waterproof cover
Dimension	315×360×255mm
Net Weight	4kg
Material	UV protected ABS enclosure and stainless metal bracket in grey
Mounting Way	Quick installation by supplied stainless mounting bracket

Side View & Dimension:



Frequency Response & SPL Diagram:

