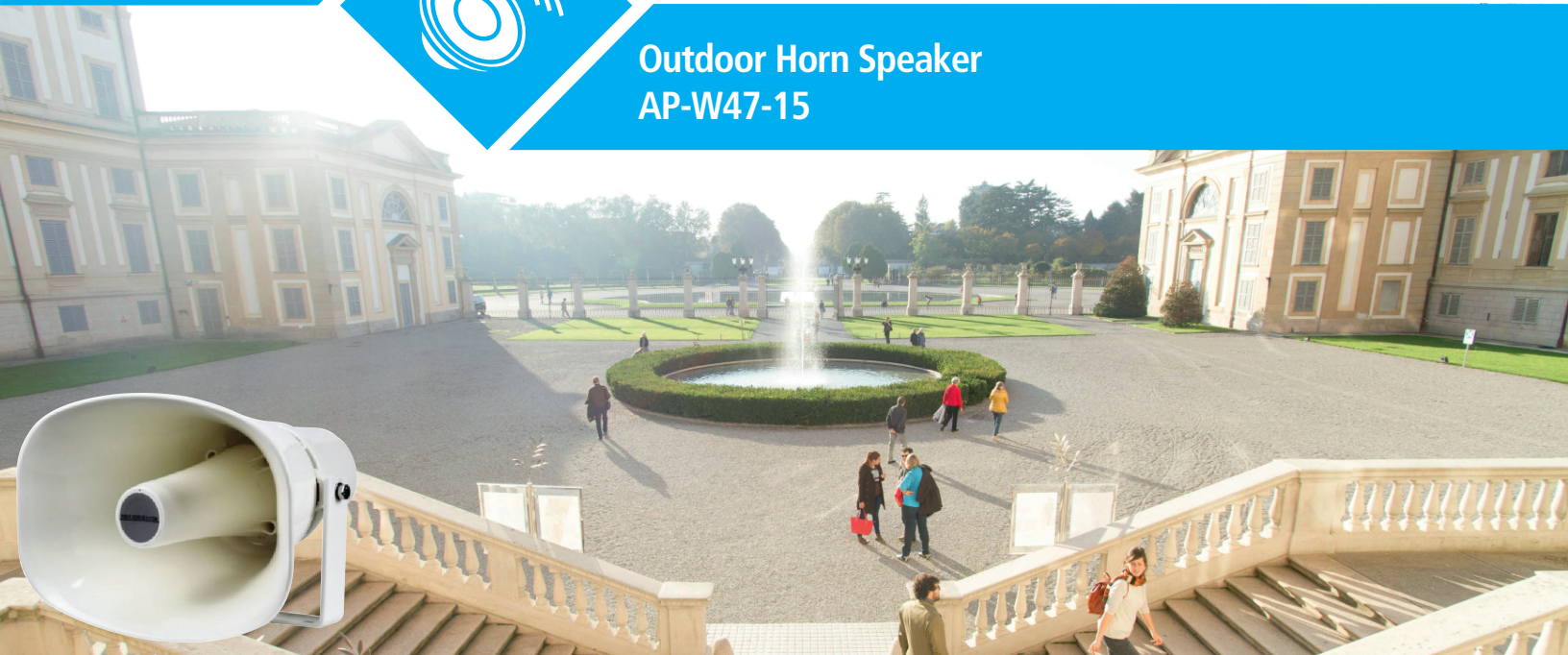




**Outdoor Horn Speaker
AP-W47-15**



AP-W47-15 Outdoor Horn Speaker

Features :

- Public Address (PA) system paging horn speaker
- Outdoor horn loudspeaker with 100V/70V transformer
- Ideal for outdoor paging and speech use in school, office, hotel and airport
- Superior long distance voice speech clear & crystal delivery
- Multiple power taps of 15-7.5W
- Waterproof level of IP66
- Line input 100V or 70V by speaker cable tail
- ABS enclosure and stainless metal bracket in white
- Quick installation by supplied stainless mounting bracket

Commercial Building



School Campus



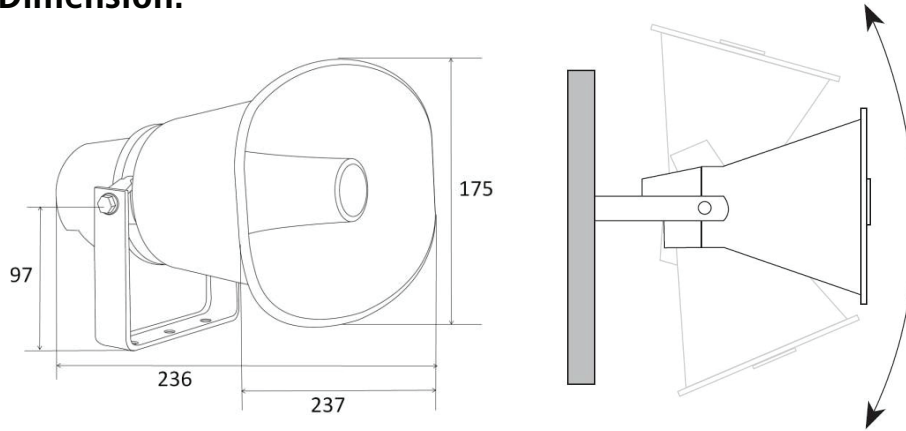
Transportation



Technical Specifications

Model No	AP-W47-15
Description	6.5" Ceiling Speaker
Power Taps	15-7.5W
Line Input	100V or 70V
Frequency Response	400-8KHz
SPL(@1W/m)	110dB
IP Rate	IP66
Dimension	237×175×236mm
Net Weight	1.4kg
Material	ABS enclosure and stainless metal bracket in white
Mounting Way	Quick installation by supplied stainless mounting bracket

Side View & Dimension:



Frequency Response & SPL Diagram:

