



Outdoor Horn Speaker AP-W47



AP-W47 Outdoor Horn Speaker

Features :

- Public Address (PA) system paging horn speaker
- Outdoor horn loudspeaker with 100V/70V transformer
- Ideal for outdoor paging and speech use in school, office, hotel and airport
- Superior long distance voice speech clear & crystal delivery
- Multiple power taps of 30-15W
- Waterproof level of IP66
- Line input 100V or 70V by speaker cable tail
- ABS enclosure and stainless metal bracket in white
- Quick installation by supplied stainless mounting bracket

Commercial Building



School Campus



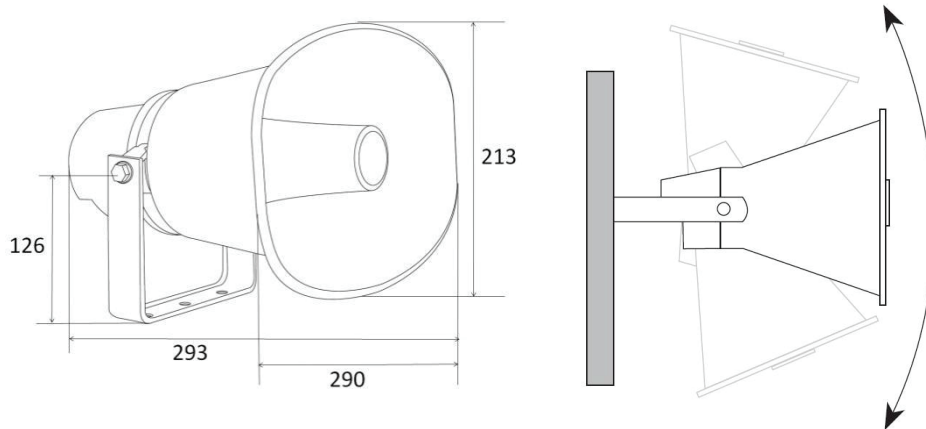
Transportation



Technical Specifications

Model No	AP-W47
Description	Outdoor Horn Speaker
Power Taps	30-15W
Line Input	100V or 70V
Frequency Response	300-8KHz
SPL(@1W/m)	110dB
IP Rate	IP66
Dimension	290×213×293mm
Net Weight	2kg
Material	ABS enclosure and stainless metal bracket in white
Mounting Way	Quick installation by supplied stainless mounting bracket

Side View & Dimension:



Frequency Response & SPL Diagram:

